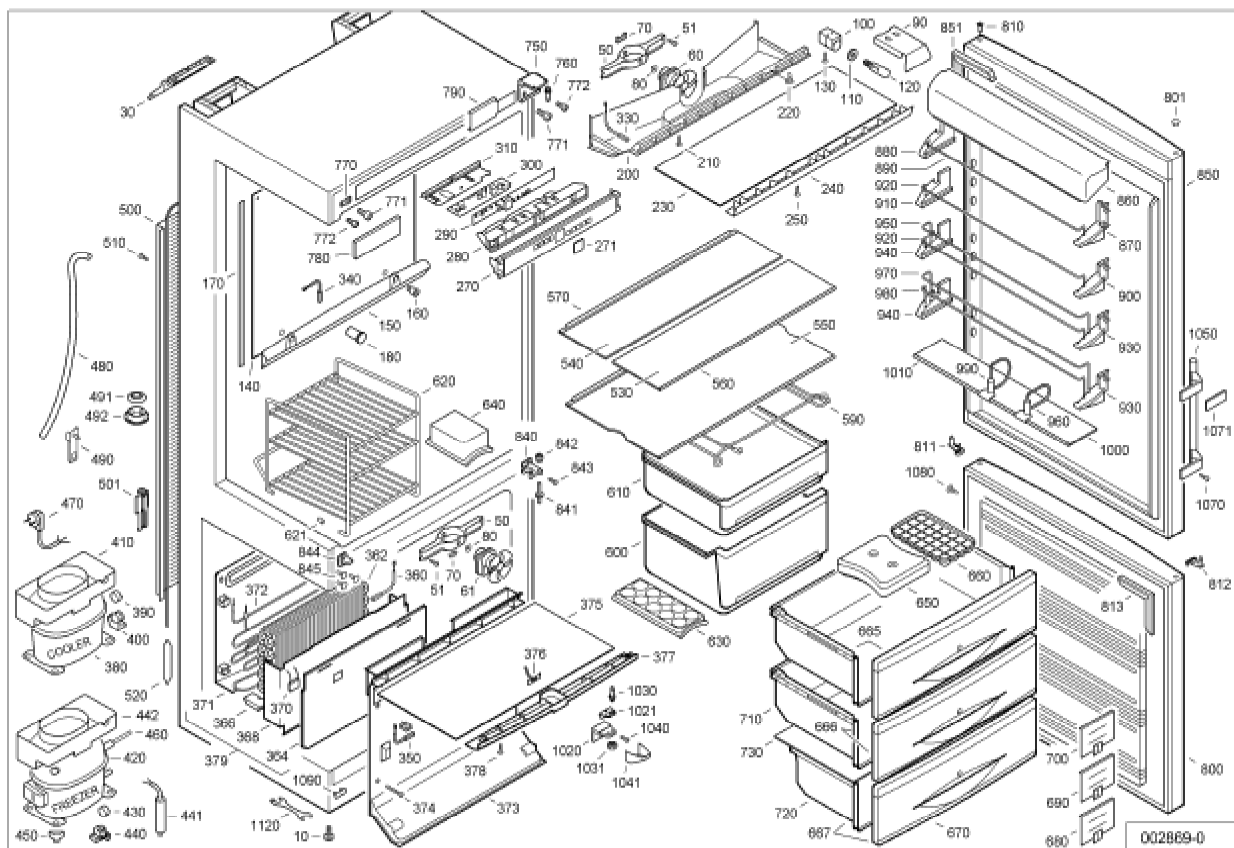


## Design/001/CN/CN 5056-20B/spare parts list



Item	Reference no.	Quantity	Description	Price
10	7043753	2	ADJUSTING SCREW	1.35
30	7422334	1	VARIOUS INJECTION-MOULDED ITEMS	0.85
50	7422558	2	VARIOUS INJECTION-MOULDED ITEMS	2.75
51	4082807	4	OVAL-HEAD SELF-TAPPING SCREW	0.30
60	6118060	1	COMPACT FAN	9.70
61	6118769	1	COMPACT FAN	24.40
62	6299002	1	FAN BLADE	2.75
70	7424773	2	VARIOUS RETAINING FIXTURES	0.20
80	7266079	4	BUFFER	0.85
90	7744117	1	REFLECTOR	1.35
100	6072965	2	LAMPHOLDER	4.50
110	7402675	2	SEALING RINGS	0.85
120	6070985	2	INCANDESCENT BULB	7.75
130	4082915	8	COUNTERSUNK SELF-TAPPING SCREW	0.25
140	5940771	1	EVAPORATOR - FREEZING	57.70
150	7422037	1	VARIOUS INJECTION-MOULDED ITEMS	9.70
160	7422032	4	EVAPORATOR FIXTURE	0.30
170	7640528	2	COVER PROFILE TRIM	1.75
180	9041793	1	PRESSURE COMPENSATION VALVE	4.50
200	7424883	1	FAN COVER	14.80
210	4098100	2	PT SCREW	0.30
220	7402624	2	PLUG	0.65
230	7271899	1	TOUGHENED SAFETY-GLASS PLATE	14.80
240	7424881	1	COVERS, VARIOUS	7.75
250	4082803	2	OVAL-HEAD SELF-TAPPING SCREW	0.65
270	7431781	1	FRONT TRIM	19.90